

The pipe threaded union coupling is manufactured to the highest quality standards in accordance with ANSI and AWWA specifications, ensuring reliable performance even in the presence of vibrations. With stainless steel bolts and high-quality welding, this product is designed for durability and long service life.

We also offer custom sizes and can manufacture with specialty materials such as stainless steel and galvanized steel.

Materials of Construction

Middle Ring	ASTM A-36 Carbon Steel
Side rings	ASTM A-36 Carbon Steel
Bolts	AISI 304 stainless steel
Cap rubber	According to astm d200 standard



**WE MANUFACTURE
 CUSTOM PRODUCTS**



Pipe coupling
 4" Steel - Steel
Style 38



Pipe coupling
 6" Steel - Steel
Style 38



Pipe coupling
 14" Steel - Steel
Style 38

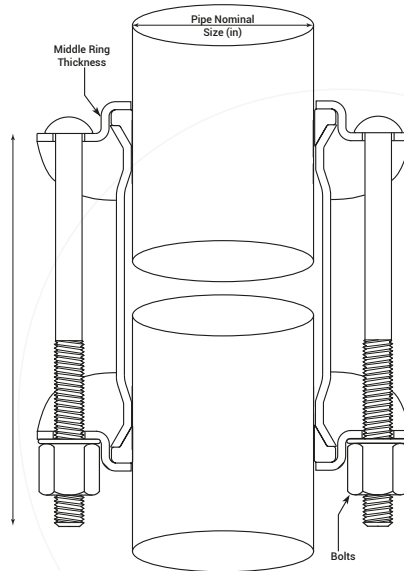
The partial or total use of any element of this catalog or file included in it is prohibited. All rights are reserved for INDUMEVER Industrias Metálicas Vergara CIA. LTDA.

D: De los Arupos E7-51 y Av. Eloy Alfaro
 Quito - Ecuador
M: salesusa@indumever.com

INFORMATION
 TABLE

Reference Dresser Part *Number*	Pipe Nominal Size (in)	Outside Pipe Diameter (mm)	Middle Ring Thickness x Length (mm)	Bolts Quantity Diam/Length (in)	Working pressure (psi)	Approximate weight (kg)
PTAG-UN-011	2	61	4 x 100	2 x 1/2"	300	2,02
PTAG-UN-015	3	90	4 x 105	3 x 1/2"	300	3,05
PTAG-UN-020	4	115	5 x 105	4 x 1/2"	300	4,26
PTAG-UN-028	6	170	6 x 105	6 x 1/2"	300	7,02
PTAG-UN-032	8	220	6 x 105	8 x 5/8"	300	9.13
PTAG-UN-037	10	273	6 x 125	8 x 5/8"	300	13,05
PTAG-UN-041	12	324	6 x 175	8 x 5/8"	300	21,88
PTAG-UN-043	14	356	6 x 175	8 x 5/8"	300	27,80
PTAG-UN-044	16	407	6 x 175	10 x 5/8"	300	31,20
PTAG-UN-046	18	458	6 x 175	10 x 5/8"	300	35,04
PTAG-UN-047	20	508	6 x 175	12 x 5/8"	300	-
PTAG-UN-049	24	610	6 x 175	14 x 5/8"	300	41,50

Pipe Fittings: Standard 300 PSI pressure rating.



The partial or total use of any element of this catalog or file included in it is prohibited. All rights are reserved for INDUMEVER Industrias Metálicas Vergara CIA. LTDA.

D: De los Arupos E7-51 y Av. Eloy Alfaro
 Quito - Ecuador
M: salesusa@indumever.com

INFORMATION
TABLE

Pipe Nominal Size (in)	Outside Pipe Diameter (mm)	Middle Ring Thickness x Length (mm)	Bolts Quantity Diam/Length (in)	Working pressure (psi)	Approximate weight (kg)
2	61	4 x 127	2 x 5/8	300	-
2	61	4 x 127	3 x 5/8	1500	-
3	89	4 x 102	3 x 5/8	*	-
3	89	4 x 127	4 x 5/8	982	-
4	115	5 x 102	3 x 5/8	*	-
4	115	5 x 127	4 x 5/8	931	-
6	169	4 X 102	4 x 1/2	*	-
6	168	6 X 127	6 x 5/8	1029	-
8	220	5 x 102	6 x 1/2	*	-
8	220	6 x 127	6 x 5/8	807	-
8	220	6 x 178	6 x 5/8	807	-
10	254	6 x 127	8 x 5/8	703	-
10	273	6 x 127	8 x 5/8	657	-
10	273	6 x 178	8 x 5/8	657	-
10	273	9 x 178	8 x 5/8	813	-
12	305	6 x 178	8 x 5/8	591	-
12	324	6 x 127	8 x 5/8	558	-
12	324	6 x 178	8 x 5/8	558	-
12	324	9 x 178	8 x 5/8	754	-
14	356	6 x 178	8 x 5/8	510	-
14	356	9 x 178	8 x 5/8	813	-
16	406	6 x 178	10 x 5/8	449	-
16	406	8 x 178	10 x 5/8	537	-
18	457	6 x 178	10 x 5/8	401	-
18	457	9 x 178	10 x 5/8	595	-
20	508	6 x 178	12 x 5/8	362	-
20	508	9 x 178	12 x 5/8	538	-
24	610	6 x 178	14 x 5/8	304	-
24	610	9 x 178	14 x 5/8	451	-
30	762	6 x 178	16 x 5/8	243	-
30	762	9 x 178	16 x 5/8	303	-
36	914	9 x 178	18 x 5/8	451	-
42	1067	9 x 178	20 x 5/8	346	-
48	1219	9 x 178	22 x 5/8	304	-

The partial or total use of any element of this catalog or file included in it is prohibited. All rights are reserved for INDUMEVER Industrias Metálicas Vergara CIA. LTDA.

D: De los Arupos E7-51 y Av. Eloy Alfaro
Quito - Ecuador
M: salesusa@indumever.com

